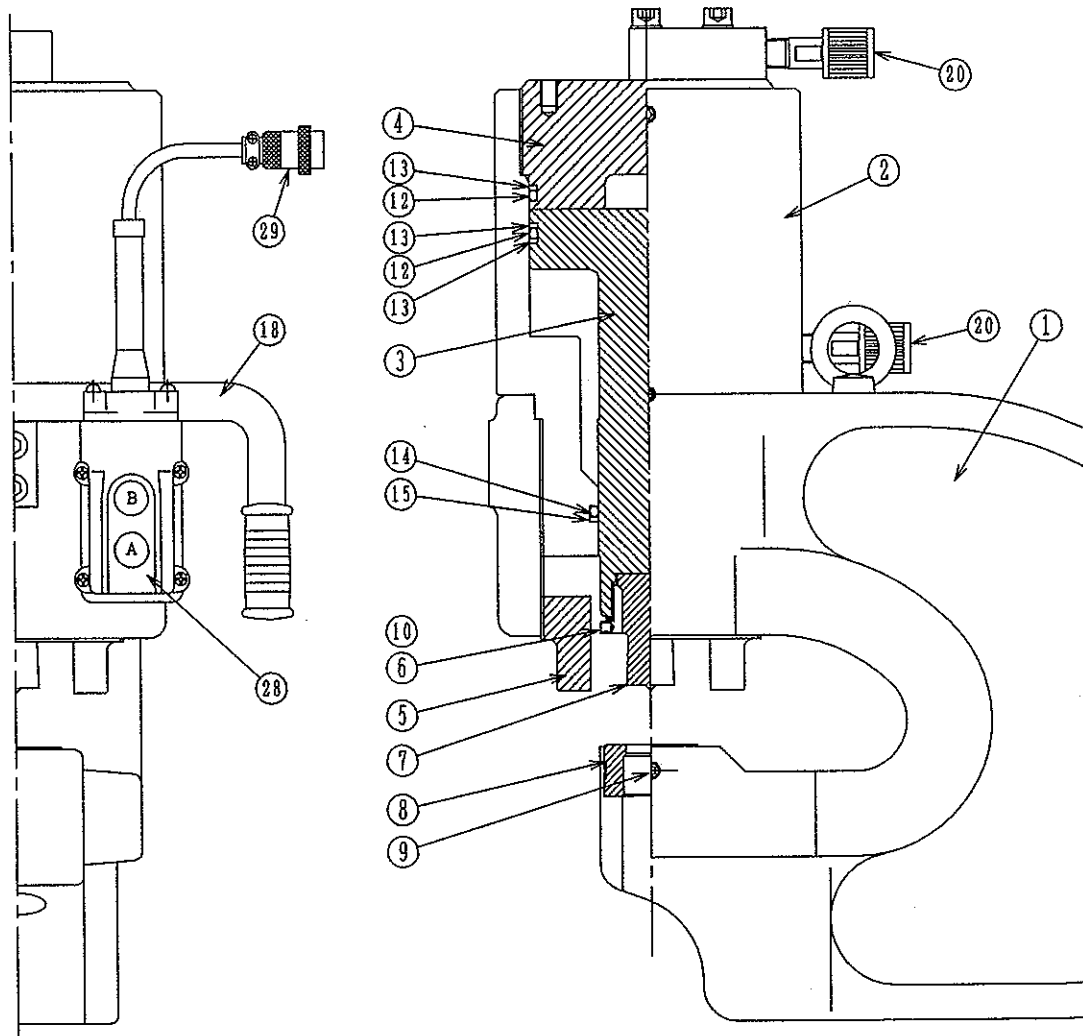


Model 1150SW



No.	Part Name
1	Puncher body
2	Cylinder
3	Piston rod
4	Cylinder cap
5	Stopper
6	Punch cap
7	Punch
8	Die
9	Die setscrew
10	O-ring for locking punch cap
12	O-ring
13	Backup ring
14	O-ring
15	Backup ring
18	Handle
20	Female coupling (black & white)
28	Operating switch
29	Metal connector