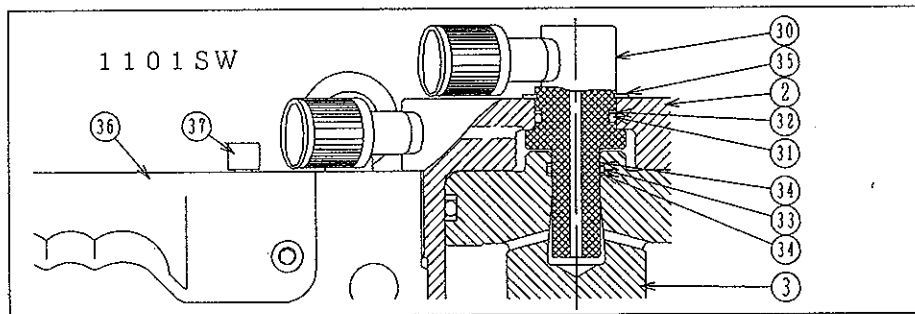
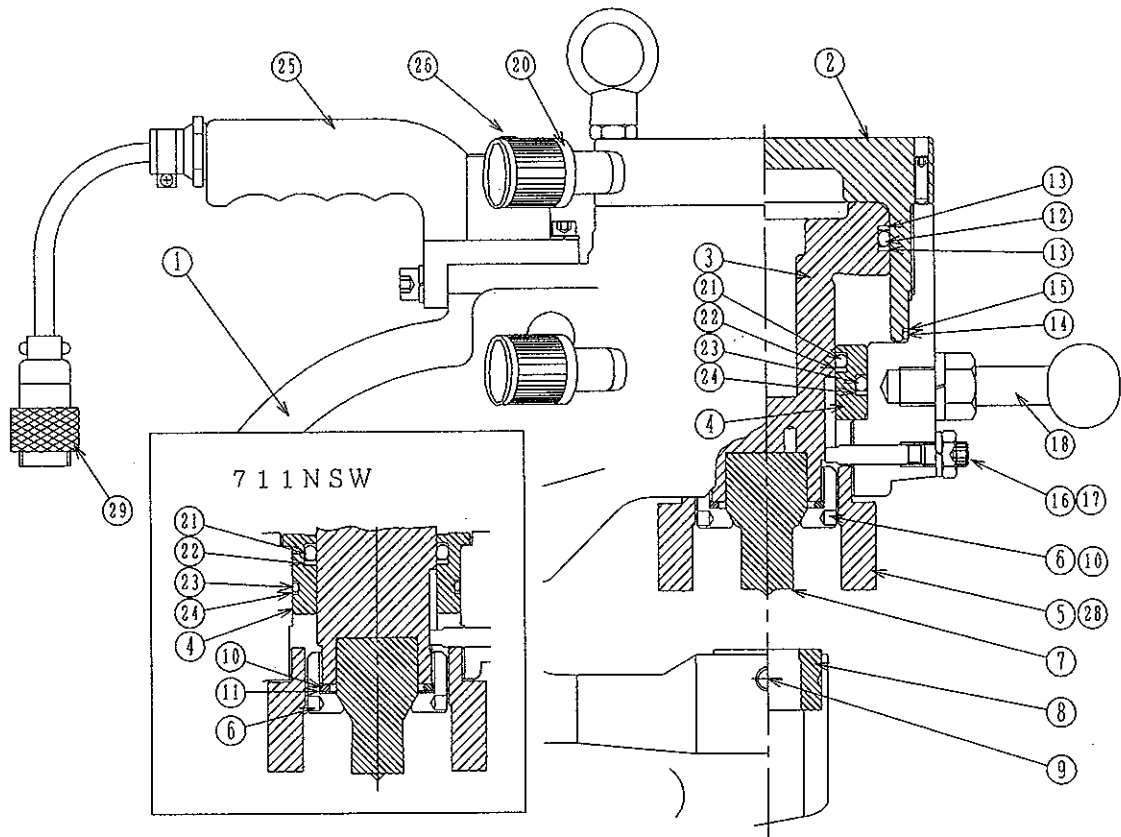


Models: 711NSW, 911NSW & S1101SW



| No. | Part Name                    |
|-----|------------------------------|
| 1   | Puncher body                 |
| 2   | Cylinder                     |
| 3   | Piston rod                   |
| 4   | Seal ring                    |
| 5   | Stopper                      |
| 6   | Punch cap                    |
| 7   | Punch                        |
| 8   | Die                          |
| 9   | Die setscrew                 |
| 10  | O-ring for locking punch cap |
| 11  | 711N spacer                  |
| 12  | O-ring                       |
| 13  | Backup ring                  |
| 14  | O-ring                       |
| 15  | Backup ring                  |
| 16  | Detent key                   |
| 17  | Detent screw                 |
| 18  | Front handle                 |

| No. | Part Name                       |
|-----|---------------------------------|
| 20  | Female coupling (black & white) |
| 21  | O-ring                          |
| 22  | Backup ring                     |
| 23  | O-ring                          |
| 24  | Backup ring                     |
| 25  | Rear handle                     |
| 26  | Pushbutton switch assy.         |
| 28  | Fixing screw                    |
| 29  | Metal connector                 |
| 30  | B-port shaft                    |
| 31  | O-ring                          |
| 32  | Backup ring                     |
| 33  | O-ring                          |
| 34  | Backup ring                     |
| 35  | Retaining ring                  |
| 36  | 1101 rear handle                |
| 37  | Pushbutton switch               |